

ACCESSORY NIBE™ PCM 40/PCM 42

Free cooling



Features of NIBE™ PCM 40/PCM 42

Elegant and timeless design

High flexibility for best indoor climate

Passive cooling and hot water production simultaneously

Installer-friendly

Settings shown on the heat pump's display

Compatible with heat pumps in the NIBE F1145/F1245 series

NIBE PCM 40/PCM 42

The NIBE PCM accessory gives your installation a high degree of flexibility. It is compatible with the NIBE F1145/F1245 series, which was developed in such a way as to enable all the heat pump's potential applications - both free cooling and hot water production. Combine your heat pump with NIBE PCM for passive / free cooling. It works, even while your system is continually heating hot water.

NIBE PCM is easily controlled via the heat pump's control panel, where both settings and monitoring are easily handled at the push of a button. This accessory's timeless design means that it blends in well with your other heat pump equipment.

 **NIBE**

Technical specifications

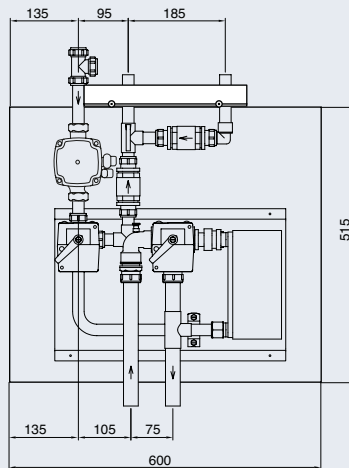
NIBE™ PCM 40/PCM 42

Type		PCM 40	PCM 42
Height (excl. pipes)	(mm)	515	635
Width	(mm)	600	600
Depth	(mm)	370	370
Weight	(kg)	30	45
Connection, hot side	(mm)	22	28
Connection, cold side	(mm)	28	35
Output, circulation pump	(W)	40 - 70	70 - 160
Cooling output	(kW)	2 - 5	4 - 9
Intended for heat pump at 0/35°C	(kW)	5 - 8	10 - 17

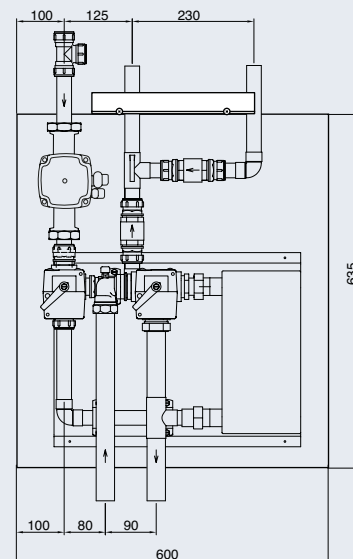


Dimension

PCM 40

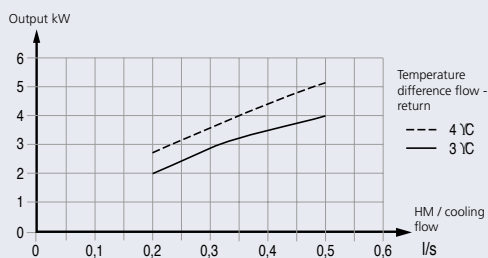


PCM 42



Capacity diagram

PCM 40



PCM 42

